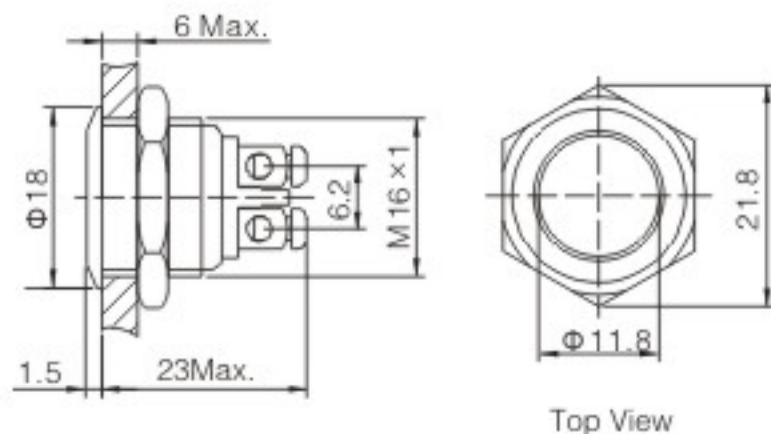


- ⊙ Φ 16mm Diameter
- ⊙ Switch Rating: 2A/36VDC
- ⊙ Contact Configuration: 1NO(1NC can be made to order)
- ⊙ Operation Type: Momentary
- ⊙ The Front Shape: Flat Round
- ⊙ The Crust Material(⊙): Stainless steel(S)/
- ⊙ Nickel plated Brass(N)/Aluminium alloy black anodized(A)
- ⊙ IP Degree: IP65, IK08



GQ16F-10/⊙		Material	Button	Stainless steel/ Aluminium alloy black anodized
			Body	Stainless steel/Nickel plated Brass /Aluminium alloy black anodized
			Base	PBT
Terminal Type	Screw Terminal	Operation Pressure	About 4N	
Switching	X(double-break slow-motion contact)	Operation Travel	About 2.5mm	
Panel Thickness	1 ~ 6mm			
Torque	0.6Nm			
Mechanical Life	1,000,000 cycles			
Electrical Life	200,000 cycles	RoHS	Made to order	